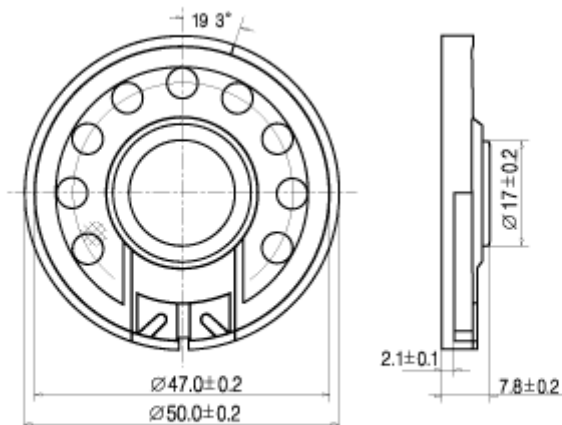




|                                      |                      |
|--------------------------------------|----------------------|
| Type                                 | BMS-5011             |
| Rated Impedance( $\Omega$ )          | 50 $\pm$ 15%         |
| Rated(Max.) Power(W)                 | 0.2(0.4)             |
| Resonant Frequency(Hz)               | 350 $\pm$ 20%        |
| Rated Freq.Range(Hz)                 | f <sub>0</sub> ~3500 |
| Sound Pressure Level(dB)             | 85 $\pm$ 3           |
| Magnet(g)                            | 1.1                  |
| Operating Temperature( $^{\circ}$ C) | -10~+40              |



Unit:mm

